

Panasonic®

Epilator
Depiladora Eléctrica

Operating Instructions Instrucciones de operación

Model No./Modelo No.
ES2025/ES2029

Service · Assistance · Accessories
800-338-0552(In USA)
www.panasonic.com/beauty

IN USA CONTACT:

Panasonic Consumer Electronics Company
Division of Panasonic Corporation of North America
One Panasonic Way 2F-3 Secaucus, NJ 07094

IN PUERTO RICO CONTACT:

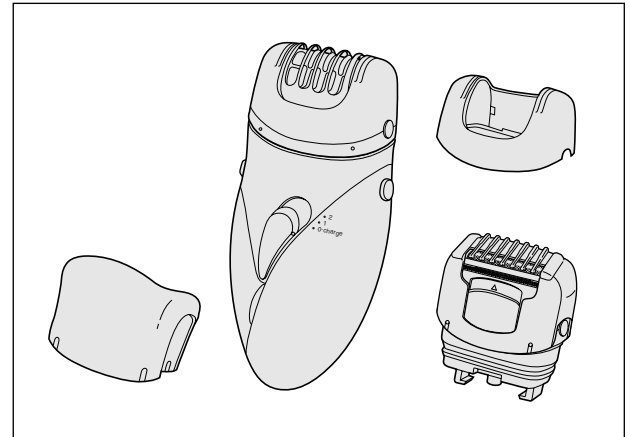
Panasonic Sales Company
Division of Panasonic Corporation of Puerto Rico, Inc.
San Gabriel Industrial Park 65th Infantry Avenue KM9.5
Carolina, Puerto Rico 00630

En México:

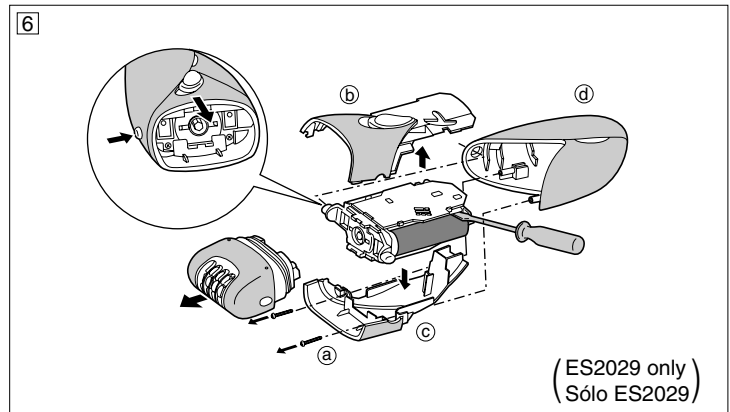
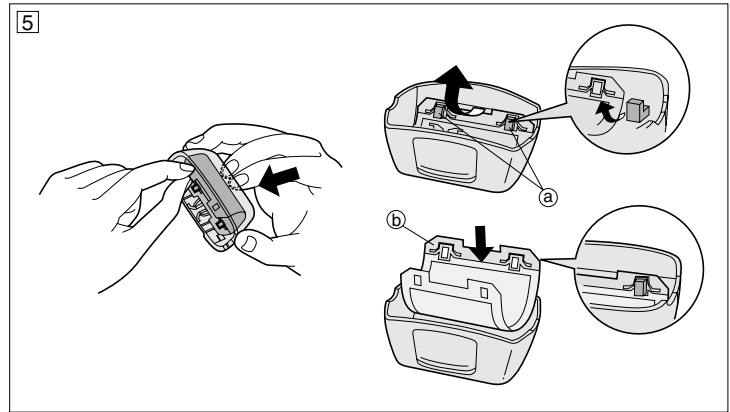
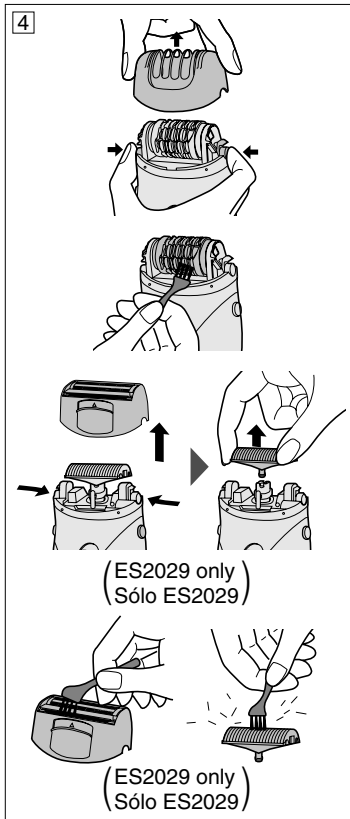
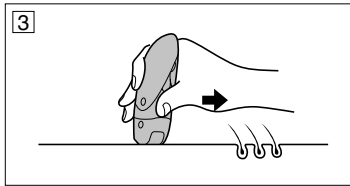
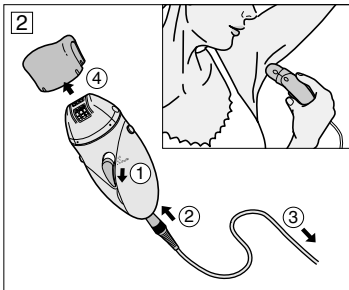
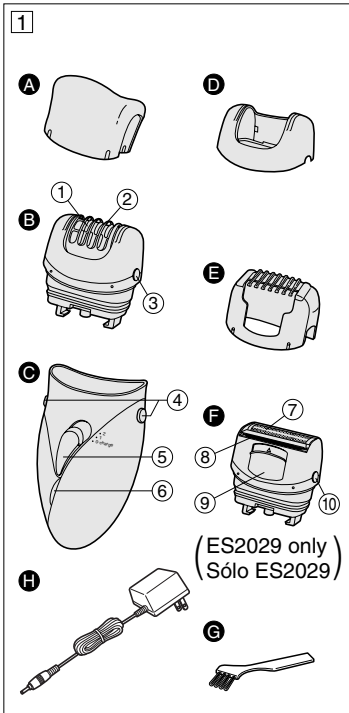
Panasonic de México, S.A de C.V.
México D.F.
Amores 1120, Col. del Valle, 03100
Tel: 54 88 10 00

No.1 EN ES (U.S.A.)

Printed in China
Impreso en China



- Before operating this unit, please read these instructions completely, and save this manual for future use.
- Antes de utilizar esta unidad, por favor lea estas instrucciones completamente, y guarde este manual para uso futuro.



INDEX

ENGLISHPage 4
 ESPAÑOLPágina 14

IMPORTANT SAFETY INSTRUCTIONS

When using an electrical appliance, basic precautions should always be followed, including the following: Read all instructions before using this appliance.

DANGER To reduce the risk of electric shock:

1. Do not reach for an appliance that has fallen into water. Unplug immediately.
2. Do not use while bathing or in a shower.
3. Do not place or store appliance where it can fall or be pulled into a tub or sink. Do not place in or drop into water or other liquid.
4. Always charge this appliance in a cool, dry place.
5. Unplug this appliance before cleaning.
6. Always unplug this appliance from the electrical outlet immediately after using. (ES2025 only)
7. Except when charging, always unplug this appliance from the electrical outlet immediately after using. (ES2029 only)

WARNING To reduce the risk of burns, fire, electric shock, or injury to persons:

1. Do not use this appliance with damaged epilation/shaver heads as injury may occur.
2. An appliance should never be left unattended when plugged in.
3. Close supervision is necessary when this appliance is used by, on, or near children or invalids.
4. Use this appliance only for its intended use as described in this manual. Do not use attachments not recommended by the manufacturer.
5. Never operate this appliance if it has a damaged cord or plug, if it is not working properly, if it has been dropped or damaged, or dropped into water. Return the appliance to a service center for examination and repair.
6. Keep the cord away from heated surfaces.
7. Never drop or insert any object into any opening.
8. Do not use outdoors or operate where aerosol (spray) products are being used or where oxygen is being administered.
9. Always attach plug to appliance first, then to outlet. To disconnect, turn off the switch, then remove plug from outlet.

SAVE THESE INSTRUCTIONS

CAUTION To reduce the risk of personal injury, follow these instructions:

1. Before use, check that the skin protector and epilation discs have not become misshapen or damaged.
2. Insert the power cord securely into the appliance.
3. Operating the appliance on AC power when it has little or no charge remaining can cause it to have difficulty starting or to become temporarily inoperable. If this condition occurs, slide the on/off switch to the "0-charge" position and charge for 1 minute or more before use.
4. Before use, always make sure that the epilation disks and outer foil are not damaged or deformed. *Failure to do so can cause damage to the skin.*
5. Make sure skin is clean before and after use. Always wipe away perspiration and keep skin in a hygienic state, particularly in perspiration-prone areas such as the underarms where inflammation tends to occur more readily. *Failure to do so can cause infection and inflammation.*
6. When beginning use of the appliance, allow your skin time to adjust by testing it gradually over a period of two to three days.
7. Discontinue if skin trouble continues for more than two days following treatment with the appliance. Please consult a dermatology specialist in such instances.
8. When using on underarms, extend the arm upwards to keep skin taut. *Failure to do so could cause damage to skin or increased pain.*
9. Always turn off the power switch when exchanging epilation or shaver heads. *Failure to do so could cause finger injury, or hair to become entangled in the spinning gears, or damage to the appliance.*
10. Be careful not to let clothing or, etc., come in contact with epilation discs. *Failure to do so could result in becoming entangled in the discs.*
11. Never allow the appliance to come in contact with the hair on your head, eyelashes, ribbons, etc., when switched on. *Doing so can cause personal injury or mechanical malfunction.*
12. When unplugging, do so by pulling on the plug, not on the cord. *Failure to do so could cause electric shock or short-circuiting.*
13. Avoid dropping the appliance or allowing it to strike hard surfaces. *Doing so can cause personal injury or mechanical malfunction.*



Prohibited!

- Do not use on facial or genital areas or surrounding regions, such as the groin, etc. *Doing so can cause damage to skin or inflammation.*
- Do not use head for your underarms or bikini-line. *Doing so can cause damage to skin or inflammation.*

- Do not apply strong pressure to the skin, repeatedly rub over the same area, hold in one spot on the skin, or apply in a jabbing motion when using the appliance. When using the head with the appliance, do not keep it in constant contact with the skin while repeatedly moving it over the same area.

Doing so can cause damage to skin, inflammation or increased pain.

- Do not turn on the device without an epilator or shaver head attached.

Doing so could cause finger injury, entanglement of hair in the spinning gears, or mechanical malfunction.

- Do not use the appliance if any of the following conditions are present.

- Eczema, rashes or other skin conditions
- Allergic constitution or sensitive skin that reacts to cosmetics, clothing, metals, etc.

- Prone to infections

- Varicose veins, diabetes, hemophilia, etc.

- Poor clotting of blood

Doing so can cause skin damage, sensitization, inflammation, bleeding, etc.

- Do not use near or on the following skin areas.

- Warts, pimples, bruises, rashes, wounds, or loose skin

Doing so can damage skin and cause inflammation or bleeding.

- Do not use under the following circumstances.

- Before or during menstruation, during pregnancy, or for about one month after giving birth

- When skin is sunburned

- When illness or signs of skin and other physical abnormalities are present

Doing so can sensitize skin and cause severe pain.

- Do not use in the following manner.
 - Before or during a bath or shower
 - Just before swimming in a pool or the ocean (use no less than two days prior)
 - Shared use of the appliance with family or friends
 - Just before intense exercise or sports activities

Doing so can result in bacteria entering skin via dilated pores due to epilation and cause infection and inflammation.

- Do not use nail polish remover, benzene, alcohol, etc., to clean the appliance.

Doing so can cause mechanical malfunction.

- Do not leave the appliance in places where it will be exposed to high temperatures or direct contact with sunlight.

Doing so can cause mechanical malfunction.

Parts identification (Fig. 1)

- Ⓐ Protective cap (× 1)
- Ⓑ Epilation head for legs/arms
 - ① Epilation discs
 - ② Skin protector
 - ③ Frame release button
- Ⓒ Main body
 - ④ Head release button
 - ⑤ On/off switch
 - 0-charge = off/charge
 - 1 = low speed
 - 2 = normal speed
 - ⑥ Charge indicator light (ES2029 only)
- Ⓓ Epilation attachment (no skin protector)
- Ⓔ Bikini Comb
- Ⓕ Shaver head (ES2029 only)
 - ⑦ Outer foil

- Ⓒ Trimmer
- ⑨ Trimmer handle
- ⑩ Frame release button
- Ⓖ Cleaning brush
- Ⓗ AC adaptor

BEFORE USING, PLEASE READ THE MANUAL CAREFULLY AND COMPLETELY.

General information about epilation

All methods of hair removal at the roots can lead to minor skin injuries and in-growing hairs. All micro-injuries caused by plucking hairs may lead to inflammation through the penetration of bacteria into the skin. Thoroughly cleaning the epilation discs before each use minimizes the risk of infection. Depending on the condition of your skin and hairs, you may experience some irritation (e.g. feeling of pain, skin reddening) when you start using the product and when removing hairs at root level. This is a normal reaction that will quickly disappear.

If, after 48 hours, your skin still shows irritations, we recommend you to contact your physician.

In general, the skin reactions and the sensation of pain tend to diminish considerably with repeated use.

If you have any doubts about using this appliance, please consult your physician.

In the following cases, this appliance should only be used after

consultation with a physician.

- eczema, wounds, inflamed skin reactions such as folliculitis (purulent hair follicles) and varicose veins
- around moles
- reduced immunity of skin, e.g. diabetes mellitus, during pregnancy, Raynaud's disease
- hemophilia or immune deficiency

This product is designed to remove hair on legs, arms, and sensitive areas like underarms or the bikini-line using the appropriate head depending on the needs.

When switched on, the appliance must never come in contact with the hair on your head, eyelashes, ribbons or clothes, etc. to prevent any danger of injury as well as to prevent blockage or damage of the unit.

Charging the epilator (ES2029 only)

- Slide the on/off switch to the "0-charge" position.
- Insert the power cord securely into the epilator.
- Plug the power cord securely into an electrical outlet.
- When using the epilator for the first time or using it for the first time in over 6 months, please continue to charge the unit for 24 hours after the unit has been fully charged.
- Charge the epilator for 12 hours. (The charge indicator light will stay on even after 12 hours.) The epilator can be used for about 30 minutes on a single full (12-

hour) charge.

- After the epilator has been thoroughly charged it is OK to leave it plugged in.

How to operate your epilator (Fig. 2)

Check to see that the skin protector and discs are not damaged or deformed. If they are then please do not use the appliance.

If you are concerned about pain during epilation then please use with 1 (low speed) setting.

Cordless operation of the epilator (ES2029 only)

- Remove the cap.
- Attach the frame you wish to use.
- Slide the switch to the 1 (low speed) or 2 (normal speed) position and carry out epilation.
- After completing epilation, slide the switch to the “0-charge” position.

Operating the epilator on AC power (Fig. 2)

- Slide the on/off switch to the “0-charge” position.
- Insert the power cord securely into the epilator.
- Plug the AC adaptor securely into an electrical outlet. Always check to see that the charge indicator light is on.
- Remove the cap.
- Attach the frame you wish to use.
- Slide the switch to the 1 (low speed) or 2 (normal speed) position and carry out epilation.
- After completing epilation, slide the

- switch to the “0-charge” position.
- Unplug the power cord from the electrical outlet and the appliance.

Correct usage for best epilation results

- When the hair is long, it makes hair removal easier and reduces pain to trim the hair before epilation. Leg and arm hair should be shortened a length of 3 to 5 mm, and underarm and bikini-line hair to a length of 1 to 2 mm.
- **Apply epilator at right angles (90°) against your skin.** For best epilation results keep in contact with the skin surface. Press gently and guide the epilator slowly against hair growth. (Fig. 3)
- Rub your skin to lift short hairs.
- Move the epilator slowly on the skin with the skin protector vertically touching.

Epilation attachment without skin protector

Please use Epilation attachment (no skin protector) **D** for quicker epilation.

Shaving

For legs and arms

It is helpful to use a shaver head with pre-epilation comb.

For underarms and bikini-line

It is helpful to use a shaver head 3 to 5 days before using the epilator.

Shaving

Before using, make sure the blade is not warped or damaged, as this

may cause injury.

Apply the shaver head so that the whole blade is in close contact with the skin.

Press gently and guide the appliance slowly against hair growth. Applying with too much force prevents hairs from being guided to the blades so that some areas may be left unshaved.

Trimmer

It is helpful to use the trimmer only when you want to cut the long hair.

When the trimmer is up, apply the blade gently.

Shaving with pre-epilation comb

When the hair is long before epilation, we recommend you to use a shaver head with pre-epilation comb.

Place the pre-epilation comb onto the shaver head, and slide trimmer up. When the pre-epilation comb is in place, make sure the comb is in close contact with the skin.

Further useful tips

- In the beginning, it is advisable to epilate in the evening so that any possible reddening can disappear overnight. When you feel pain or rash appears, cool the skin with cold towel.
- Hair is easier to remove after bathing or showering. But your skin must be completely dry!
- In order to prevent the risk of ingrowing hairs, we recommend the regular use of massage sponges, e.g. after showering, or exfoliation peeling.

Cleaning (Fig. 4)

Switch off and unplug the appliance before cleaning.

Cleaning of the epilation head

Push the frame release buttons and remove the frame.

Brush the frame.

While cleaning, you can turn the epilation discs manually.

Be careful not to break the skin protector when cleaning.

For disinfection of the epilation discs please use only pure alcohol. Attention! Wipe the main body only with a damp cloth. The use of alcohol etc. may cause discoloration or deformation of the main body.

After cleaning, put the cap on the epilation head.

Cleaning of the shaver head (ES2029 only)

Push the frame release buttons and remove the frame.

Remove the inner blade by lifting straight up.

Clean with the brush.

Be careful not to apply too much force to the outer foil.

After cleaning, put the pre-epilation comb on the shaver head.

Replacing the outer foil of the shaver head (Fig. 5)

Never remove the outer foil for other reason than to change it.

Removing the outer foil

While pushing the outer foil gently

with the fingers, use the fingernail to release the plastic panel (b) on the blade from the catches (a) on the inside of the frame.

Fitting the new outer foil

Holding the outer foil so that the surface with the plastic panel (b) (i.e. the surface that will contact the inner blade) faces upward, insert into the frame so that the catches (a) on the frame fit into the holes on the foil.

ATTENTION:

2 nickel metal hydride batteries that are recyclable power the product you have purchased. Please call 1-800-8-BATTERY for information on how to recycle the batteries.



For environmental protection and recycling of materials (ES2029 only)

This epilator contains Ni-MH batteries.

How to remove the built-in rechargeable batteries before disposal of the epilator (Fig. 6 - ES2029 only)

The batteries in this epilator are not intended to be replaced by consumers. However, the batteries may be replaced at an authorized service center. The procedure described below is intended only for removal of the rechargeable batteries for the purpose of proper disposal.

- Always unplug the power cord from the epilator before disassembling it.
- Always slide the switch to 1 or 2 until the batteries are completely discharged.
- Using a screwdriver, disassemble the unit in the following order.
 1. Remove the head while pushing on the head release button.
 2. Remove screws (a).
 3. Remove cover (b) and cover (c) while pushing on the head release button and then remove cover (d).
 4. Use a screwdriver to remove the Ni-MH batteries.
(Please take care not to allow the batteries to short out on anything.)

Safety precautions

- Use only the included Adaptor.
- Please use the appliance at a temperature of between 0–40°C.
- Always ensure the appliance is operated on an electric power source matched to its rated voltage.
- Never operate the appliance if the cord or adaptor are damaged or overly hot, or if the plug fits loosely in the power outlet.
- Keep the device away from sources of heat or flame.
- Do not allow the appliance to be used by, on, or near children.
- Do not allow the appliance to be used or left in the vicinity of sinks, bathrooms, or other high-humidity areas, where it could be exposed to water and moisture.
- Do not allow the appliance to be immersed in, splashed with, or rinsed under water.
- Do not modify the cord or damage it in any way such as by bending, twisting or pulling on it unnecessarily.
- Do not wrap the output cord tightly around the appliance.
- Regularly clean the cord connector, which plugs into the appliance, to keep it free of dust and foreign objects such as pins, etc.
- Replace the shaving foil and the inner blade when you notice a reduced shaving performance.
- A damaged or defective appliance should be returned to the customer service center or to an authorized customer service

agent.

- Do not attempt to use a defective appliance or repair the appliance yourself. Disassembly and repair should only be carried out by a qualified technician.
- The AC adaptor can be positioned in a vertical or horizontal position.

Specifications

Model No.	ES2025	ES2029
Power supply	AC120V 60Hz	
Power consumption	Approx. 4 W	Approx. 3 W ~ 5W
Weight (Unit with the big epilation head)	133g	174g

Subject to change without notice.

This product is intended for house-hold use only.

READ ALL INSTRUCTIONS BEFORE USE

FOR YOUR CONVENIENCE, WE HAVE ESTABLISHED A TOLL-FREE (IN USA ONLY) NATIONAL ACCESSORY PURCHASE HOT LINE AT 1-800-338-0552.

INSTRUCCIONES DE SEGURIDAD IMPORTANTES

Al usar un electrodoméstico, se deberán seguir siempre precauciones básicas, incluyendo las

siguientes:
Lea todas las instrucciones antes de usar este aparato.

PELIGRO Para reducir el riesgo de choque eléctrico:

1. No recoja el aparato si éste ha caído en el agua. Desenchúfelo inmediatamente.
2. No lo use cuando tome un baño o esté en la ducha.
3. No lo coloque ni lo almacene en donde pudiera caerse o ser jalado a una bañera o a un fregadero. No lo coloque ni lo deje caer en el agua u otro líquido.
4. Siempre cargue este aparato en un lugar fresco y seco.
5. Desenchufe este aparato antes de la limpieza.
6. Desenchufe siempre este aparato de la toma de corriente inmediatamente después de usar. (Sólo ES2025)
7. Excepto al cargar, desenchufe siempre este aparato de la toma de corriente inmediatamente después del uso. (Sólo ES2029)

ADVERTENCIA Para reducir el riesgo de quemaduras, incendio, choque eléctrico o herida a personas:

1. No use este aparato con cabezales de depilación/afeitado dañados ya que pueden ocurrir heridas.
2. Un aparato nunca debe de ser dejado sin supervisión cuando estuviera enchufado.
3. Es necesario una supervisión cercana cuando esta depiladora es usada por, en o cerca de niños o inválidos.
4. Use este aparato sólo para el uso al que se lo destina como se describe en este manual. No use aditamentos no recomendados por el fabricante.
5. Nunca haga funcionar este aparato si tiene un cordón o un enchufe dañado, si no está funcionando correctamente, si lo han dejado caer o dañado o lo han dejado caer en el agua. Devuelva el aparato a un centro de servicio para su examen y reparación.
6. Mantenga el cordón lejos de superficies recalentadas.
7. Nunca deje caer ni inserte un objeto en alguna abertura.
8. No lo use en el exterior ni lo haga funcionar donde productos de aerosol (chisquetes) estén siendo usados o donde oxígeno estuviera siendo administrado.
9. Siempre adose primero el enchufe al aparato, luego a la toma de corriente. Para desconectar, apague el interruptor, luego saque el enchufe de la toma.

GUARDE ESTAS INSTRUCCIONES

CUIDADO Para reducir el riesgo de herida personal, siga estas instrucciones:

1. Antes de usar, verifique que el protector de piel y los discos depiladores no se hayan deformado o dañado.
2. Inserte el cordón de alimentación firmemente en el aparato.
3. El hacer funcionar el aparato con alimentación de CA cuando tiene poca carga o ninguna carga puede hacer que tenga dificultad en arrancar o que se vuelva temporalmente inoperable. Si esta situación ocurre, deslice el interruptor de encender/apagar a la posición "0-carga" y cárguelo durante un minuto o más antes de su uso.
4. Antes del uso, asegúrese siempre que los discos depiladores y la lámina exterior no estén dañados o deformados.
El no hacerlo puede causar daño a la piel.
5. Asegúrese que la piel esté limpia antes y después del uso. Siempre limpie el sudor y mantenga la piel en un estado higiénico, particularmente en áreas con tendencia a sudar tales como las axilas en donde la inflamación tiende a ocurrir más fácilmente.
El no hacerlo puede causar infección e inflamación.
6. Al comenzar a usar el aparato, dele tiempo a su piel para que se acostumbre probándolo por un periodo de dos a tres días.
7. Descontinúe su uso si el problema de la piel continúa durante más de dos días siguientes al tratamiento con el aparato.
Por favor consulte con un dermatólogo en tales ocasiones.
8. Al usarlo en las axilas, extienda el brazo hacia arriba para mantener la piel tensa.
El no hacerlo puede causar daño a la piel o incrementar el dolor.
9. Siempre apague el interruptor de alimentación al intercambiar cabezales de depilación o de afeitado.
El no hacerlo puede causar herida en los dedos o que el vello se enrede en los engranajes giratorios o causar daño al aparato.
10. Tenga cuidado de no dejar que ropa, etc. entre en contacto con los discos depiladores.
De no tener cuidado podría resultar que termine enredada en los discos.
11. Nunca deje que el aparato entre en contacto con el cabello en su cabeza, pestañas, cintas, etc., cuando esté encendido.
El hacerlo puede causar herida personal o falla mecánica.
12. Al desenchufar, hágalo jalando del enchufe, no del cordón.
El no hacerlo puede causar choque eléctrico o corto circuito.
13. Evite dejar caer el aparato o hacer que se golpee contra superficies duras.
El hacerlo puede causar herida personal o falla mecánica.



¡Prohibido!

- No lo use en áreas faciales o genitales o en las áreas circundantes, tales como la ingle, etc. *El hacerlo puede causar daño a la piel o inflamación.*
- No use el cabezal para sus axilas o línea del bikini. *El hacerlo puede causar daño a la piel o inflamación.*
- No aplique presión fuerte a la piel, ni repetidamente frote la misma área, ni se detenga en un punto de la piel ni aplique el aparato con un movimiento brusco. Al usar el cabezal con el aparato, no lo mantenga en constante contacto con la piel al tiempo que lo mueve repetidamente sobre la misma área. *El hacerlo puede causar daño a la piel, inflamación o aumentar el dolor.*
- No encienda el aparato sin que tenga adosado un cabezal de depilación o de afeitado. *El hacerlo puede causar herida en los dedos, el vello se puede enredar en los engranajes giratorios o puede ocurrir una falla mecánica.*
- No use el aparato si existe alguno de los siguientes malestares.
 - Eczema, sarpullido u otro problema de la piel
 - Constitución alérgica o piel sensible que reacciona con los cosméticos, la ropa, los metales, etc.
 - Tendencia a las infecciones
 - Venas varicosas, diabetes, hemofilia, etc.
 - Coagulación pobre de la sangre*El hacerlo puede causar daño a la piel, sensibilización, inflamación,*

hemorragia, etc.

- No usar cerca de o en las siguientes áreas de la piel.
 - Verrugas, granitos, moretones, sarpullidos, heridas o piel floja. *El hacerlo puede dañar la piel y causar inflamación o hemorragia.*
- No usar bajo las siguientes circunstancias.
 - Antes o durante la menstruación, durante el embarazo o durante un mes después de dar a luz
 - Cuando la piel estuviera bronceada
 - Cuando estuvieran presentes enfermedades o señales de anomalías de la piel u otras anomalías físicas. *El hacerlo puede sensibilizar la piel y causar dolor severo.*
- No usar de las siguientes maneras.
 - Antes o durante un baño o una ducha.
 - Justo antes de nadar en una piscina o en el mar (usar no menos de dos días antes)
 - Uso compartido del aparato con familiares o amigos
 - Justo antes de ejercicios intensivos o actividades deportivas*El hacerlo puede resultar en la entrada de bacterias en la piel a través de los poros dilatados debido a la depilación y causar infección o inflamación.*
- No usar líquido para limpiar barniz de uñas, benzina, alcohol, etc., para limpiar el aparato. *El hacerlo puede causar falla mecánica.*
- No deje el aparato en lugares en los

que estará expuesto a altas temperaturas o a la luz directa del sol. *El hacerlo puede causar falla mecánica.*

Información general acerca de la depilación

Todos los métodos de remoción de vello desde la raíz pueden conllevar heridas menores a la piel y vellos que crecen por dentro. Todas las micro heridas causadas al jalar los vellos pueden ocasionar inflamación a través de la penetración de bacterias dentro de la piel. Limpiando concienzudamente los discos depiladores antes de cada uso minimiza el riesgo de infección. Dependiendo de la condición de su piel y vellos, puede experimentar algo de irritación (p. ej. sensación de dolor, enrojecimiento de la piel) cuando comienza a usar el producto y al sacar los vellos al nivel de la raíz. Esta es una reacción normal que desaparecerá rápidamente. Si, después de 48 horas, su piel todavía muestra irritaciones, le recomendamos que consulte con su médico.

En general, las reacciones de la piel y la sensación de dolor tienden a disminuir considerablemente con el uso repetido. Si tiene alguna duda acerca del uso de este aparato, por favor consulte con su médico.

En los siguientes casos, este aparato deberá ser usado sólo después de consultar con un médico.

- eczema, heridas, piel inflamada, reacciones tales como foliculitis (folicúlos de la piel purulentos) y venas varicosas
- alrededor de lunares

Identificación de Partes

(Fig. 1)

- A** Tapa de protección (× 1)
- B** Cabezal de depilación para piernas/brazos
 - ① Discos depiladores
 - ② Protector de piel
 - ③ Botón de soltar el bastidor
- C** Cuerpo principal
 - ④ Botón de soltar el cabezal
 - ⑤ Interruptor de Encender/ Apagar
 - 0-carga = apagado/carga
 - 1 = velocidad baja
 - 2 = velocidad normal
 - ⑥ Luz indicadora de carga (Sólo ES2029)
- D** Aditamento de depilación (sin protector de piel)
- E** Peine de Bikini
- F** Cabezal de afeitador (Sólo ES2029)
 - ⑦ Lámina exterior
 - ⑧ Recortador
 - ⑨ Mango del recortador
 - ⑩ Botón de soltar el bastidor
- G** Cepillo de limpieza
- H** Adaptador de CA

ANTES DE USAR, POR FAVOR LEA CUIDADOSAMENTE EL MANUAL POR COMPLETO.

- inmunidad reducida de la piel, p. ej. diabetes mellitus, durante el embarazo, la enfermedad de Reynaud
- hemofilia o deficiencia inmunitaria

Este producto está diseñado para sacar el vello en piernas, brazos y áreas sensitivas como las axilas o la línea del bikini usando el cabezal apropiado dependiendo de las necesidades.

Cuando esté encendido, el aparato nunca debe entrar en contacto con su cabello, sus pestañas, lazos o ropa, etc. para prevenir cualquier peligro de herida así como para prevenir bloqueo o daño al aparato.

Cargando la depiladora (Sólo ES2029)

- Deslice el interruptor de encender/apagar a la posición "0-carga".
- Inserte firmemente el cable de alimentación en la depiladora.
- Enchufe con firmeza el cable de alimentación en una toma de corriente.
- Al usar la depiladora por primera vez o al usarla por primera vez en un periodo de más de 6 meses, por favor continúe cargando el aparato por 24 horas después que el aparato se haya cargado completamente.
- Cargue la depiladora durante 12 horas. (La luz del indicador de carga permanecerá encendida aún después de 12 horas.)
La depiladora puede ser usada durante 30 minutos con una carga

completa (12 horas).

- Después que la depiladora se haya cargado completamente puede ser dejada enchufada.

Cómo utilizar su depiladora (Fig. 2)

Compruebe que el protector de piel y los discos no estén dañados o deformados. Si lo están, entonces por favor no use el aparato. Si le preocupa el dolor durante la depilación entonces úselo por favor con el ajuste 1 (velocidad baja).

Utilización de la depiladora sin cable (Sólo ES2029)

- Saque la tapa
- Adose el bastidor que desea usar.
- Deslice el interruptor a la posición 1 (velocidad baja) o 2 (velocidad normal) y lleve a cabo la depilación.
- Después de completar la depilación, deslice el interruptor a la posición "0-carga".

Utilizando la depiladora corriente (CA) (Fig. 2)

- Deslice el interruptor de encender/apagar a la posición "0-carga".
- Inserte firmemente el cable de alimentación en la depiladora.
- Enchufe firmemente el adaptador de CA en la toma de corriente. Compruebe siempre que la luz del indicador de carga esté encendida.
- Saque la tapa.
- Adose el bastidor que desea usar.
- Deslice el interruptor a la posición 1 (velocidad baja) o 2 (velocidad

normal) y lleve a cabo la depilación.

- Después de completar la depilación, deslice el interruptor a la posición "0-carga".
- Desenchufe el cable de alimentación de la toma de corriente y del aparato.

Uso correcto para conseguir un mejor resultado de su depilación

- Cuando el vello es largo, el recortarlo antes de la depilación hace que la remoción de vello sea más fácil y reduce el dolor. Los vellos de la pierna y del brazo deberán ser recortados una longitud de 3 a 5 mm, y los las axilas y la línea de bikini a una longitud de 1 a 2 mm.
- **Aplique la depiladora a ángulos rectos (90°) contra su piel.** Para un mejor resultado de su depilación manténgalo en contacto con la superficie de la piel. Presionando suavemente guíe el aparato lentamente en contra del crecimiento del vello. (Fig. 3)
- Frote su piel para levantar los vellos cortos.
- Mueva la depiladora lentamente sobre la piel con el protector de piel tocando verticalmente.

Aditamento de depilación sin protector de piel

Por favor use el Aditamento de depilación (sin protector de piel) **D** para una depilación más rápida.

Afeitado

Para piernas y brazos

Es útil usar un cabezal de afeitado con peine de pre depilado.

Para las axilas y línea del bikini

Es útil usar un cabezal de afeitado de 3 a 5 días antes de usar la depiladora.

Afeitado

Antes de usar asegúrese que la cuchilla no esté deformada o dañada, ya que esto puede causar herida. Aplique el cabezal de afeitado de modo que la totalidad de la cuchilla esté en estrecho contacto con la piel. Presione suavemente y guíe el aparato lentamente contra el crecimiento del vello. El aplicar con demasiada fuerza no deja que los vellos sean guiados hacia las cuchillas de modo que puede que queden áreas sin afeitar.

Recortador

Es útil usar el recortador sólo cuando quiere cortar el vello largo. Cuando el recortador esté arriba, aplique la cuchilla suavemente.

Afeitando con el peine de pre depilación

Cuando el vello esté largo antes de la depilación, le recomendamos que use un cabezal de afeitado con peine de pre depilación. Coloque el peine de pre depilación en el cabezal de afeitado, y deslice el recortador hacia arriba. Cuando el peine de pre depilación esté en su lugar, asegúrese que el peine esté en estrecho contacto con la piel.

Más consejos útiles

- En el comienzo, se aconseja depilarse por la noche de modo que cualquier enrojecimiento posible pueda desaparecer hasta la mañana siguiente. Cuando sienta dolor o aparezca un sarpullido, refresque la piel con una toalla fría.
- Es más fácil de quitar el vello después de un baño o una ducha. ¡Pero su piel debe estar completamente seca!
- Para prevenir el riesgo de que vellos crezcan por dentro, le recomendamos el uso regular de esponjas de masaje, p. ej. después de ducharse, o peladuras de desconchado.

Limpieza (Fig. 4)

Apague y desenchufe el aparato antes de la limpieza.

Limpieza del cabezal de depilación

Presione los botones de soltar el bastidor y saque el bastidor.

Cepille el bastidor.

Al limpiar, se puede dar vuelta manualmente a los discos depiladores. Tenga cuidado de no romper el protector de piel al limpiar.

Para la desinfección de los discos depiladores use sólo alcohol puro.

¡Atención! Limpie el cuerpo principal sólo con un paño humedecido. El uso de alcohol, etc. puede causar decoloración o deformación del cuerpo principal.

Después de la limpieza, ponga la tapa en el cabezal de depilación.

Limpieza del cabezal de afeitado (Sólo ES2029)

Presione los botones de soltar el bastidor y saque el bastidor.

Retire la cuchilla interior levantándola derecho hacia arriba.

Limpie con el cepillo.

Tenga cuidado de no aplicar demasiada fuerza a la lámina exterior.

Después de la limpieza, ponga el peine de pre depilación en el cabezal de afeitado.

Reemplazando la lámina exterior del cabezal de afeitado (Fig. 5)

Nunca saque la lámina exterior por una razón que no sea el reemplazo.

Sacando la lámina exterior

Empujando suavemente la lámina exterior con los dedos, use la uña de su dedo para soltar el panel plástico

ⓑ en la cuchilla de las agarraderas ⓐ en la parte interior del bastidor.

Colocando la nueva lámina exterior

Sosteniendo la lámina exterior de modo que la superficie con el panel plástico ⓑ (esto es, la superficie que entrará en contacto con la cuchilla interior) mire hacia arriba, insértela en el bastidor de modo que las agarraderas ⓐ en el bastidor quepan en los agujeros en la lámina.

ATENCIÓN:

El producto que usted ha adquirido está impulsado por 2 pilas de hidruro metálico de níquel que son reciclables. Por favor llame al 1-800-8-BATTERY para información sobre cómo reciclar estas pilas.



Para la protección medioambiental y el reciclado de materiales (Sólo ES2029)

Esta depiladora contiene pilas Ni-MH.

Cómo retirar las pilas recargables incorporadas antes de deshacerse de la depiladora (Fig. 6- Sólo ES2029)

Las pilas en esta depiladora no son para ser reemplazadas por los usuarios. Sin embargo, las pilas pueden ser reemplazadas en un centro de servicio autorizado. El procedimiento descrito más abajo sólo es con el propósito de la remoción de las pilas recargables para su desecho apropiado.

- Siempre desenchufe el cable de alimentación de la depiladora antes de desarmarla.

- Siempre deslice el interruptor a 1 o 2 hasta que las pilas estén completamente descargadas.
- Usando un destornillador, desarme el aparato en el siguiente orden.
 - 1 Retire el cabezal presionando el botón de soltar el cabezal.
 - 2 Retire los tornillos ⓐ.
 - 3 Retire la cubierta ⓑ y la cubierta Ⓒ al tiempo que presiona el botón de soltar el cabezal y luego retire la cubierta ⓐ.
 - 4 Use un destornillador para retirar las pilas Ni-MH. (Por favor tenga cuidado de no dejar que las pilas se cortocircuiten con alguna cosa.)

Precauciones de seguridad

- Use sólo el Adaptador incluido.
- Por favor use el aparato a una temperatura entre 0 – 40°C.
- Asegúrese siempre que el aparato opere con una fuente de energía eléctrica igual a su voltaje nominal.
- Nunca haga funcionar el aparato si el cordón o el adaptador están dañados o recalentados, o si el enchufe entra de forma floja en la toma de corriente.
- Mantenga el dispositivo lejos de fuentes de calor o llamas.
- No permita que el aparato sea usado por, en o cerca de niños.
- No permita que el aparato sea usado o dejado en la cercanía de fregaderos, cuartos de baño u otras áreas de alta humedad, en donde podría estar expuesto al agua y la humedad.
- No permita que el aparato sea sumergido en agua, salpicado con

- agua o enjuagado con agua.
- No midifique el cordón ni lo dañe de cualesquiera maneras tales como doblándolo, torciéndolo o jalándolo innecesariamente.
- No envuelva ajustadamente el cordón de salida alrededor del aparato.
- Regularmente limpie el conector del cordón, que se enchufa en el aparato, para mantenerlo libre de polvo y objetos extraños tales como alfileres, etc.
- Reemplace la lámina de afeitado y la lámina interior cuando note un rendimiento de afeitado reducido.
- Un aparato dañado o defectuoso deberá ser devuelto al centro de servicio al cliente o a un agente de servicio al cliente autorizado.
- No intente usar un aparato defectuoso ni reparar el aparato usted mismo. El desmontaje y la reparación deberán ser llevados a cabo sólo por un técnico calificado.
- El adaptador de CA puede ser colocado en una posición vertical u horizontal.

Especificaciones

Modelo No.	ES2025	ES2029
Fuente de alimentación	CA 120V 60Hz	
Consumo de energía	Aprox. 4 W	Aprox. 3W-5W
Peso (Aparato con el cabezal de depilación)	133grs.	174grs.

Sujeto a cambio sin previo aviso.

Este producto está diseñado sólo para uso doméstico.

LEA TODAS LAS INSTRUCCIONES ANTES DE SU USO.

PARA SU CONVENIENCIA, HEMOS ESTABLECIDO UNA LINEA DIRECTA GRATUITA DE ADQUISICION DE ACCESORIOS NATIONAL (SOLO EN EEUU) EN EL 1-800-338-0552.